



LED by Innovation



Jelly Jar Upgrade



4" Junction Box Adapter



Roof Mount Junction Box



Wall Mount



Wall Mount- photo sensor



Swine farm

Poultry farm

Introducing Multipurpose EH80 LED Luminaire

US Patent 10,584,863

DESIGNED FOR HARSH ENVIRONMENT WITH MULTIPLE MOUNTING OPTIONS



EH80 LED UTILITY LUMINAIRE

Overdrive launches new EH80 LED luminaire with multiple mounting options to meet wide range of lighting applications. The product is ETL listed and suitable for indoor and outdoor use where it is exposed to harsh environment and is wet location approved.

INSTALLATION OPTIONS

- Threaded Neck for Direct Mounting on jelly Jar Fixture
- Adapter for Direct Mounting on 4" junction Box
- Ceiling/Roof mount fixture attachment with junction box with ¾" and 1.0" knockouts
- Wall mount attachment complete with junction box
- Wall mount attachment with photo sensor and junction box

VARIOUS WATTAGES AND FUNCTION

- 16W Std. EH80 Model 120V-60Hz PF.0.90, THD <20%, Dims down to 1%
- 14W/26W Std. EH80 Model 120V-277V-50/60Hz PF.0.90, THD <20- non Dimmable
- Two type of diffusers providing 120 degree and 160 degree beam spread.

FEATURES:

- ▶ IP66 Rated, ETL listed for wet location, NEMA 4X
- ▶ Super safe heat sink construction-unique plastic + aluminium
- ▶ No fins on heat sink – avoids dust and insect accumulation, easy to clean
- ▶ Standard dimmable model flicker free dims down to 1% level**
- ▶ 2500V surge protection circuit built inside
- ▶ Built-in photocell (Optional)
- ▶ High performance LED chip- TIER 1 (Seoul semi or bridgelux)
- ▶ UV stabilized (F1 rating) 5VA grade Poly carbonate diffuser provides additional weathering capability
- ▶ Uniform light distribution, no bright spots or shadows (Two beam angle options)
- ▶ Wall mounted or surface mounted junction box (optional) available with 2 number inline ¾" and 1.0" knockouts for electrical conduit fitting.
- ▶ Low lumen depreciation over 50,000 hour life – unique heat sink keeps low operating temperature of LED's for best performance
- ▶ No UV and no mercury

** Dimmable models are recommended to use only with trailing Edge Dimmer. Use of Leading Edge dimmer would lead to reduced lumen/life and warranties.

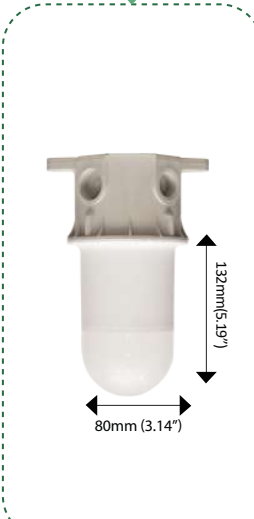
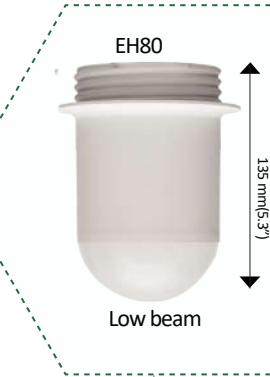


Applications

- ▶ Livestock buildings
 - **POULTRY** - Dimmable models
 - **SWINE** - Non Dimmable models

ONE PRODUCT...

MULTIPLE USES



JELLY JAR UPGRADE

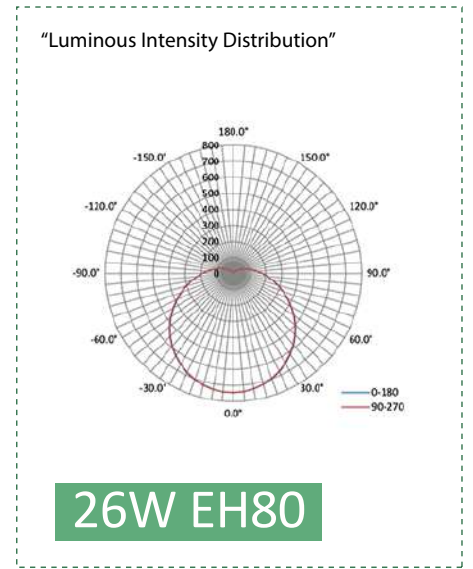
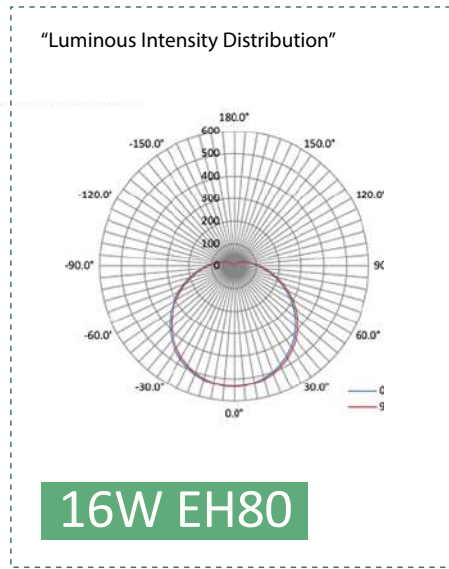
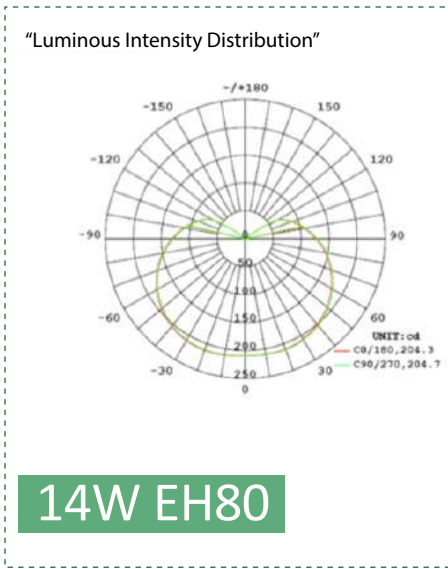
ADAPTER

ROOF MOUNT JUNCTION BOX

WALL MOUNT JUNCTION BOX

ITEM#	MODEL DESCRIPTION	MODEL NO.	LUMEN	OPERATING VOLTAGE	DIMMING	BEAM ANGLE	EQUIVALENT	LIFE (HOURS)	APPROVAL LISTING	CASE (QTY)
652	14W EH80 5000K	L14EH80-W/HB/50K	1440	120V-277V	NO	160	1x17W T8	50,000	ETL/ES	12
723*	16W EH80DIM 3000K	L16EH80DIM-W/LB/30K	1970	120V	Full	120	1x24W T8/125W Incand	50,000	ETL/ES	12
724*	16W EH80DIM 5000K	L16EH80DIM-W/LB/50K	2160	120V	Full	120	1x32W T8/1X24W T8	50,000	ETL/ES	12
725*	26W EH80 5000K	L26EH80-W/LB/50K	3170	120V-277V	NO	120	2x32W T8	50,000	ETL/ES	12
704	E26 CONNECTOR PIG TAIL	E26-C	Pigtail connector with E26 base							12/96
653	ADAPTER FOR 4" JUNCTION BOX	GAD	Adapter ring for any EH80 model							12/48
703	SURFACE MOUNT JUNCTION BOX	GRM	Gray roof mount junction box - 3/4" & 1" knock outs							12
702	WALL MOUNT ADAPTER	GWM	Gray wall mount junction box							12
729	WALL MOUNT ADAPTER WITH PHOTO SENSOR	GWM/PS	Gray wall mount junction box with photo sensor							12

* Model are DLC listed if used with Wall Mount Adapter using item 703 + 702



Note: 1. Other CCT available on special order
 2. 120°/160° beam option is available
 Please contact our sales office